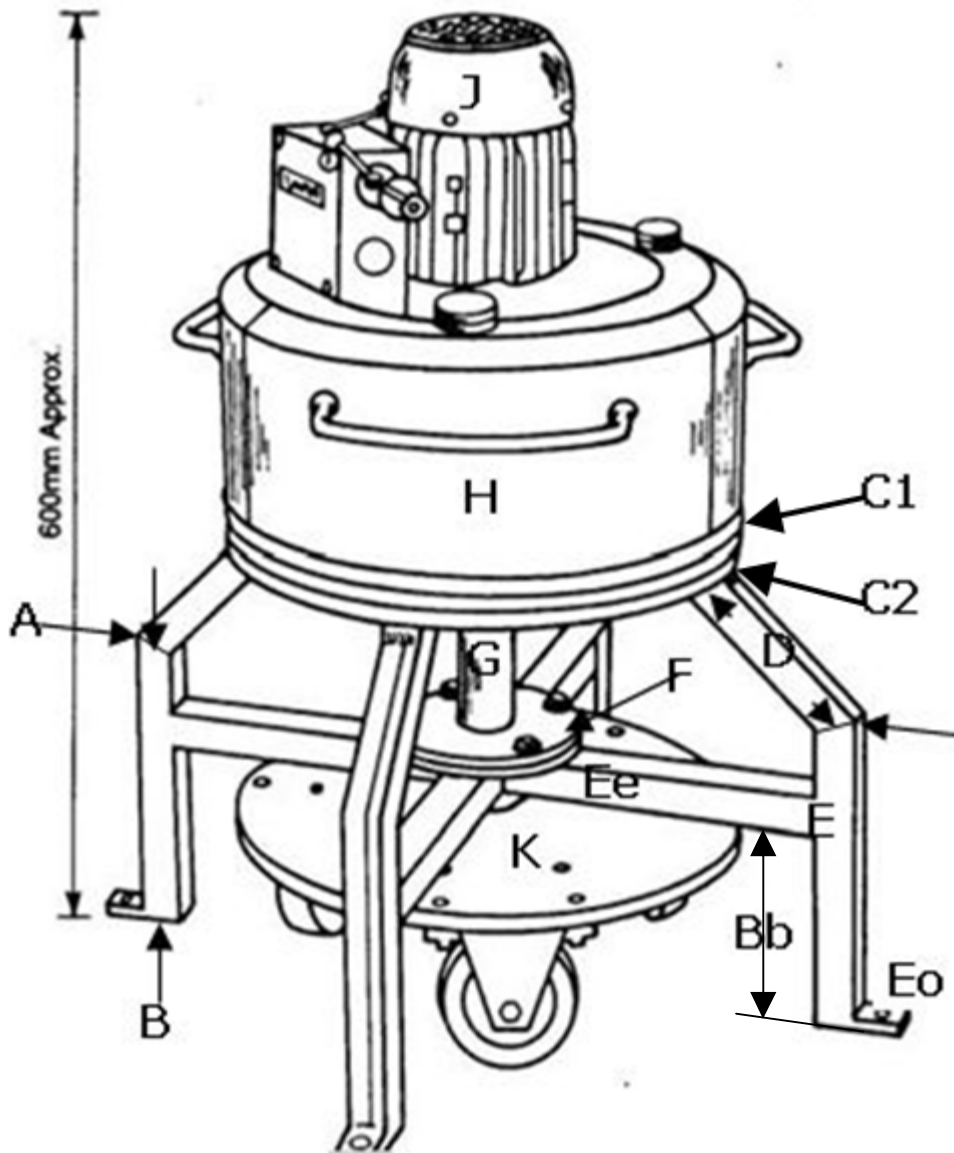




Concrete Tester: General Dimensions

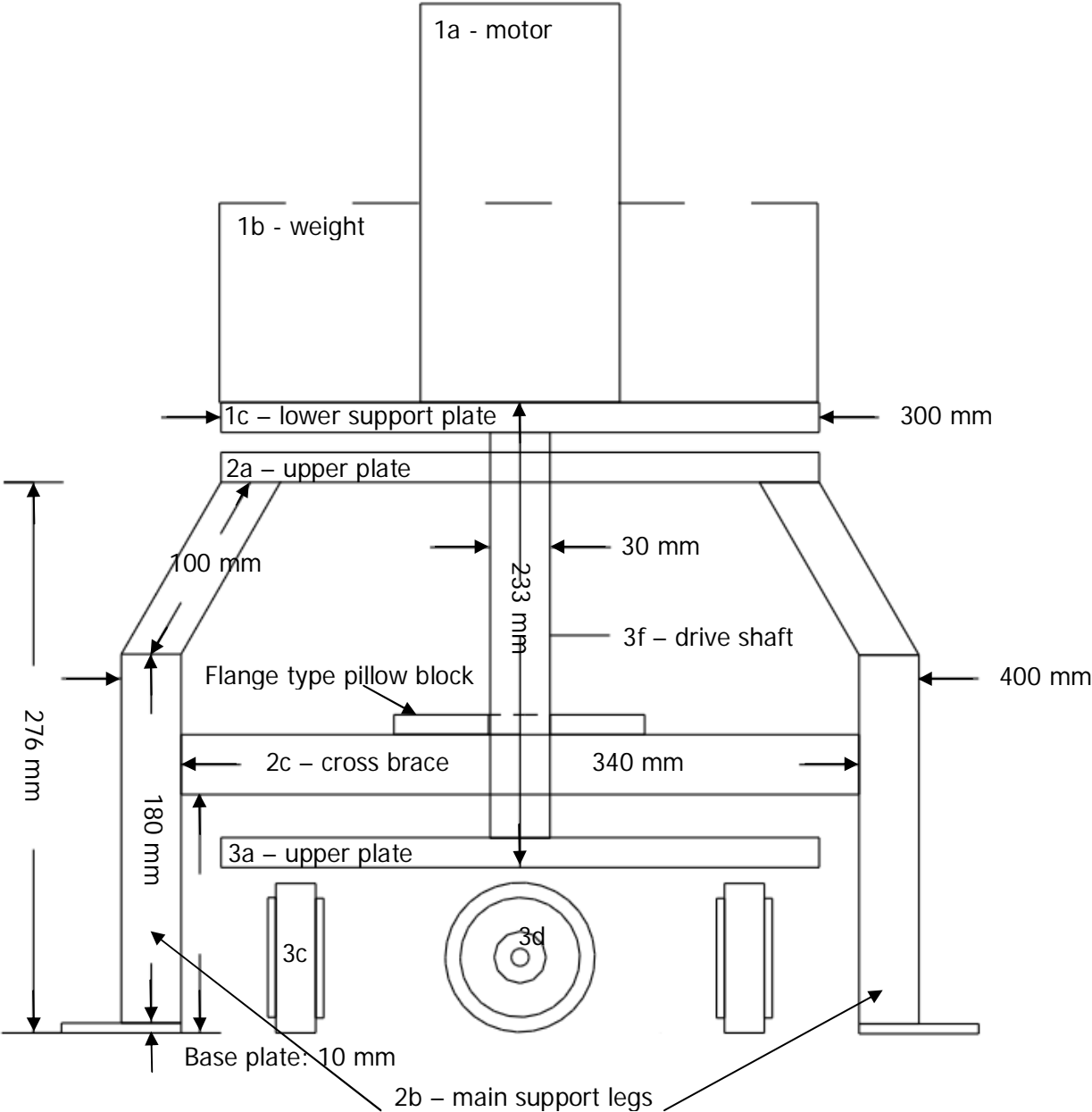
A :	Main support frame, outside to outside	400 mm
A :	_____	_____
B :	Main support frame, height of upright segment	190 mm*
B :	_____	_____
		* Includes 10 mm thick base plate
Bb :	Main support cross frame, height to bottom	120 mm
Bb :	_____	_____
C1 :	Motor and weight support plate	300 mm x 15 mm*
C1 :	_____	_____
		* Gap between C1 & C2: 10 mm
C2 :	Main support frame, upper plate	300 mm x 15 mm*
C2 :	_____	_____
D :	Main support frame, angled segment	60° (+/-), 100 mm (+/-)
D :	_____	_____
E :	Main support frame, square tubing	30 mm, 4 mm wall
E :	_____	_____
Ee :	Main support cross brace joint, (height to bottom)	120 mm
Ee :	_____	_____
Eo :	Main support foot	10 mm x 40 mm x 80 mm w/ 10 mm hole
Eo :	_____	_____
F :	Flange type pillow block, UCFC 206 or equivalent	
F :	_____	
G :	Motor / bottom plate drive shaft	30 mm diameter
G :	_____	_____
H :	Test weight (4 @ 10kg each)	40 kg total*
H :	_____	_____
		* Total weight on wheels including plates, motor and extra weight: 65kg
J :	Gear motor with on/off switch	1/4hp, 0.09kw, 190 rpm*
J :	_____	_____
		* 240v, 50Hz, 1ph (115v, 60Hz, 1ph)
K :	Bottom plate wheel assembly	300 mm x 15 mm
K :	_____	_____

Concrete Tester: General Dimensions - Parts



*Space between C1 & C2: 10 mm

Concrete Tester: Schematic with Dimensions



Concrete Tester: Parts List

1) Motor, weight and lower support plate

- | | |
|------------------------|---|
| a) Motor | 1/4hp, 0.09kw, 190rpm |
| b) Weight: 40kg (+/-) | 300mm OD, 150mm ID, height adjusted to weight |
| c) Lower support plate | 300mm x 15mm |

2) Main Support Frame 400mm wide x 291mm tall (floor to top of upper plate)

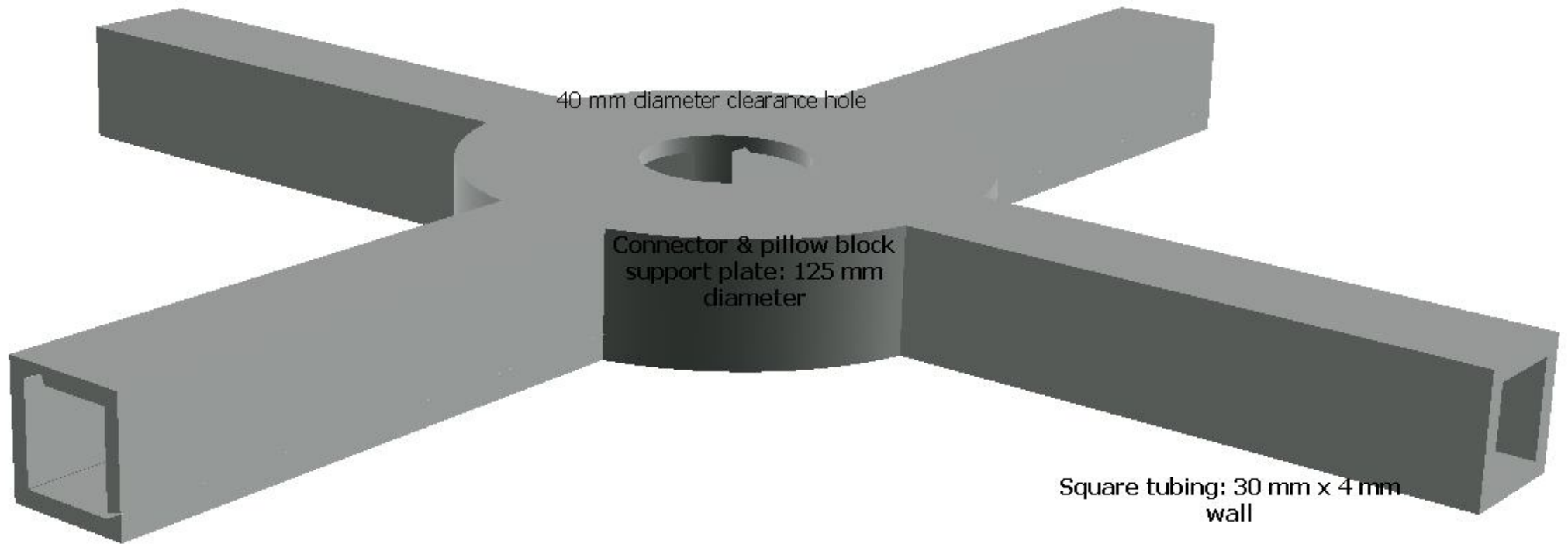
- | | |
|----------------------|--|
| a) Upper plate | 300mm x 15mm |
| b) Main support legs | 276mm (floor to bottom of upper plate) |
| c) Cross brace | 340mm |

3) Wheel Assembly 300mm plate with wheels at 225mm

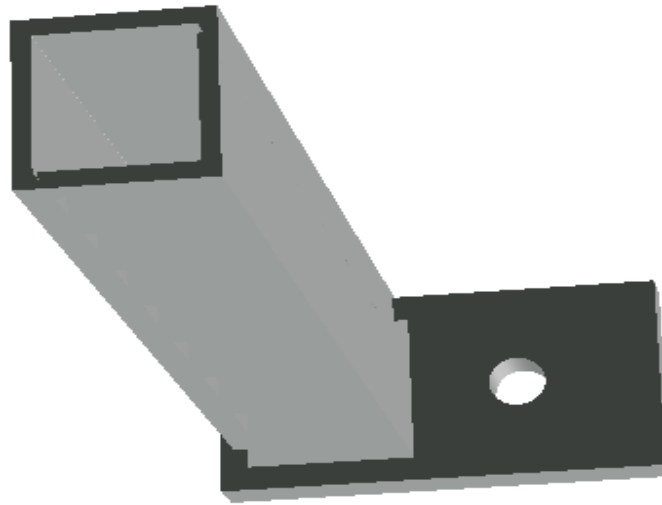
- | | |
|-------------------------------|--|
| a) Upper plate | 300mm x 15mm |
| b) Wheel brackets | 100mm x 50mm x 5mm |
| c) Wheels | 75mm x 20mm |
| d) Bearings | SKF 6000 roller bearings (or equivalent) |
| e) Wheel axle (shoulder bolt) | 10 mm Ø shoulder x 50 mm long |
| f) Drive shaft | 30 mm Ø |

Concrete Tester

Main support cross brace



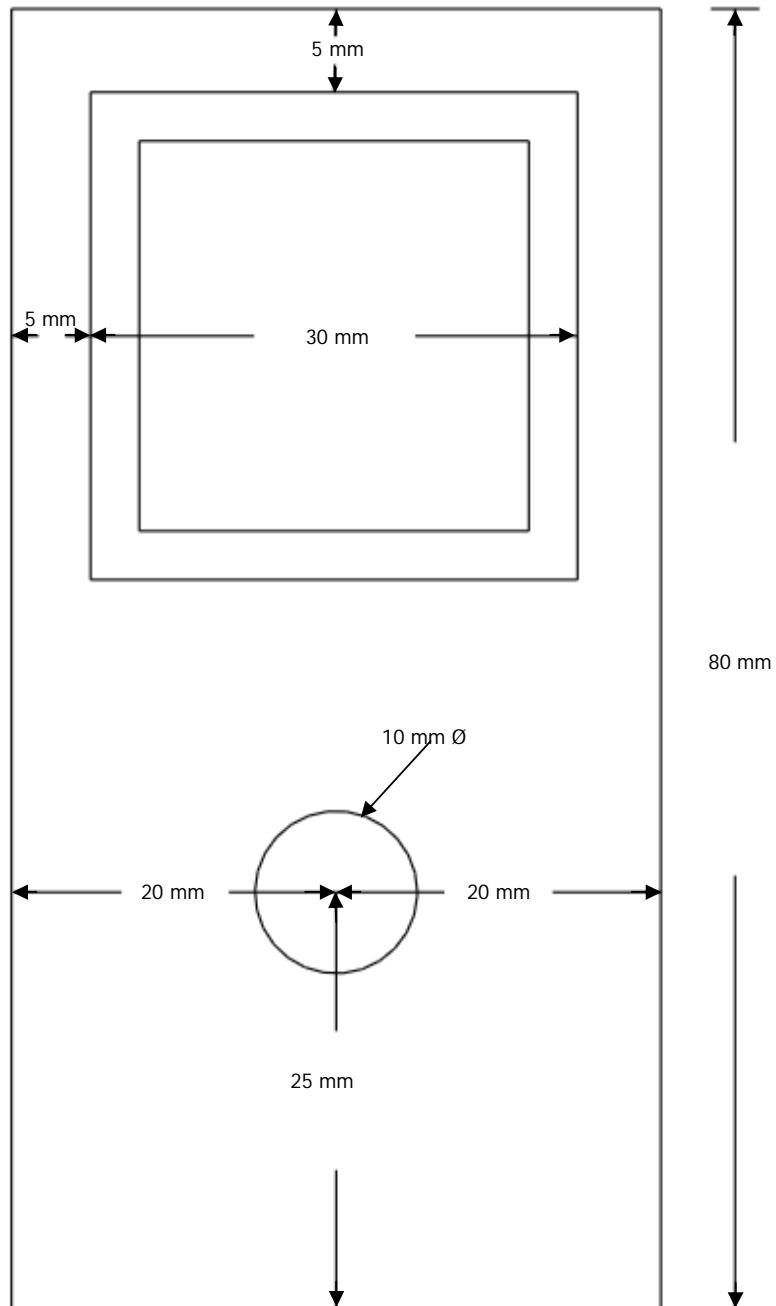
Concrete Tester: Base plates



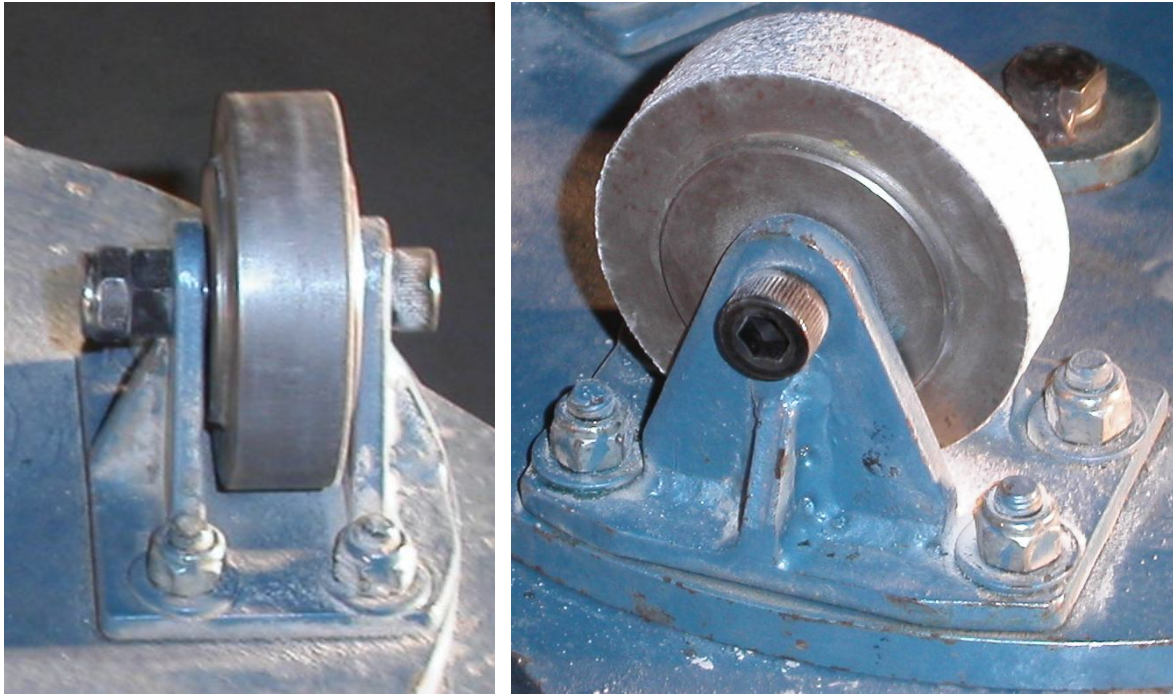
Base plates 10 mm thick

Main frame legs welded all around

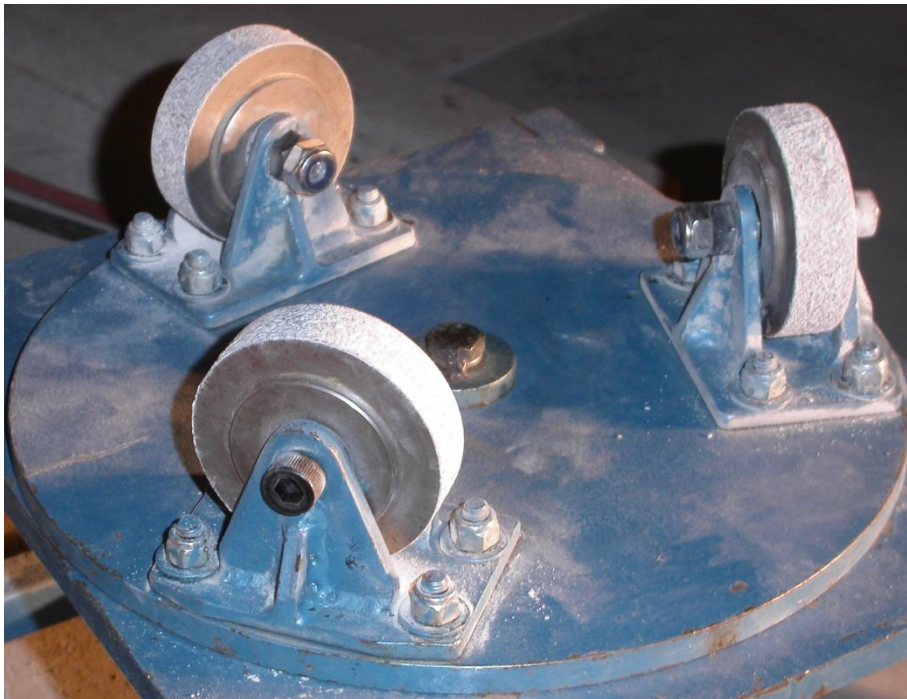
Concrete Tester: Base plates (continued)



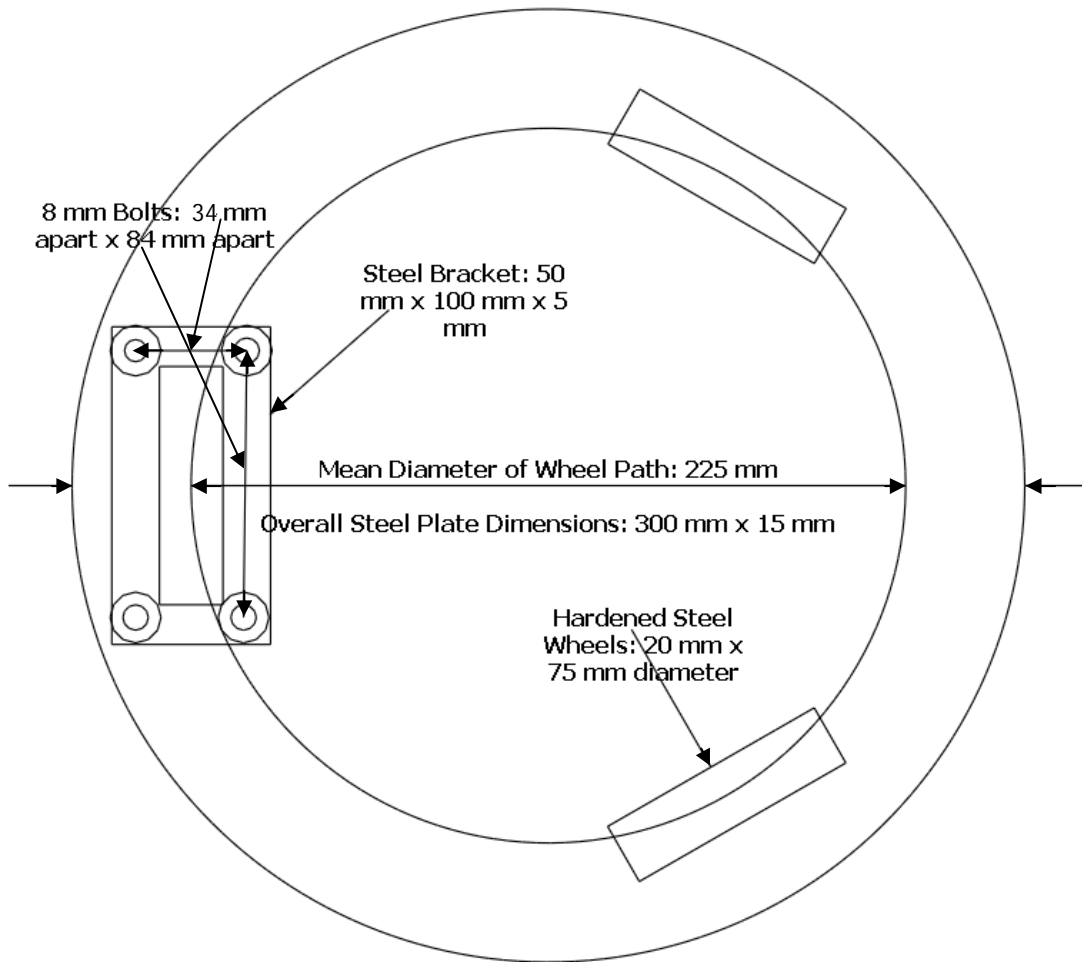
Wheel with bracket: 75 mm Ø x 20 mm wide



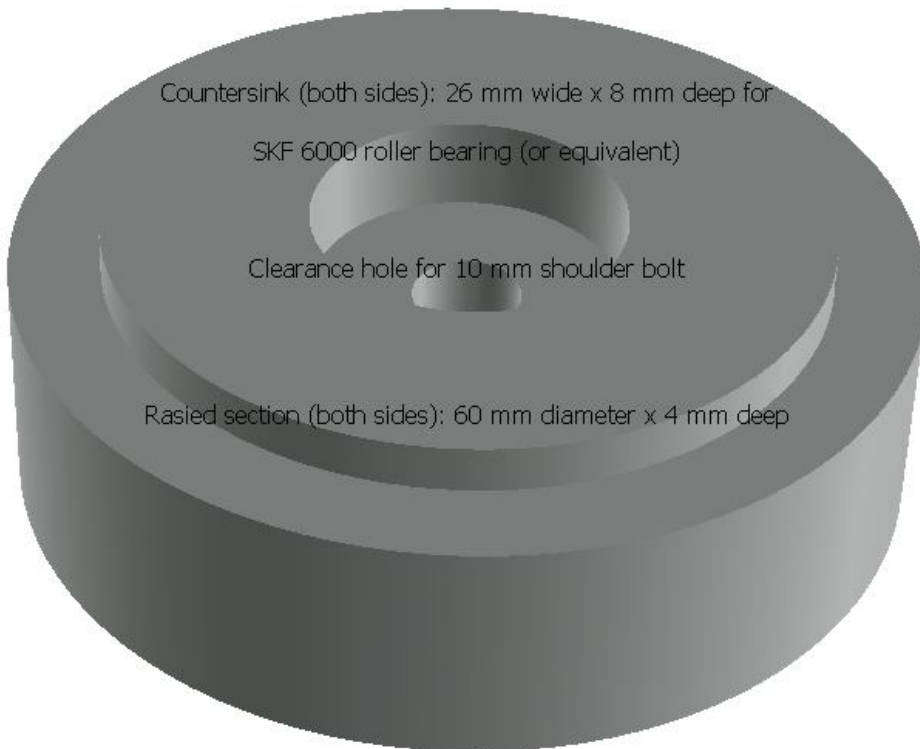
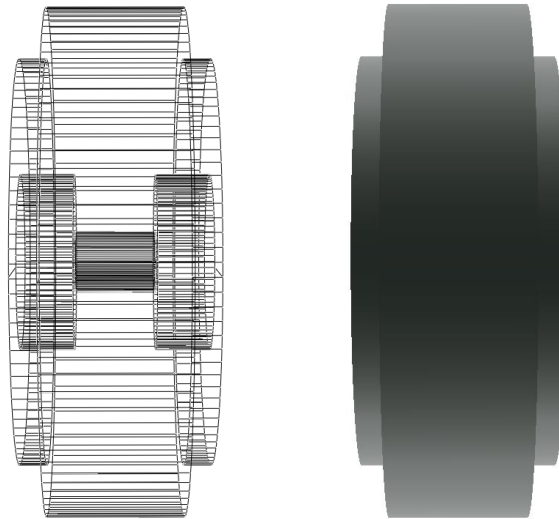
Bottom plate – wheel assembly: wheel cl at 225 mm circumference



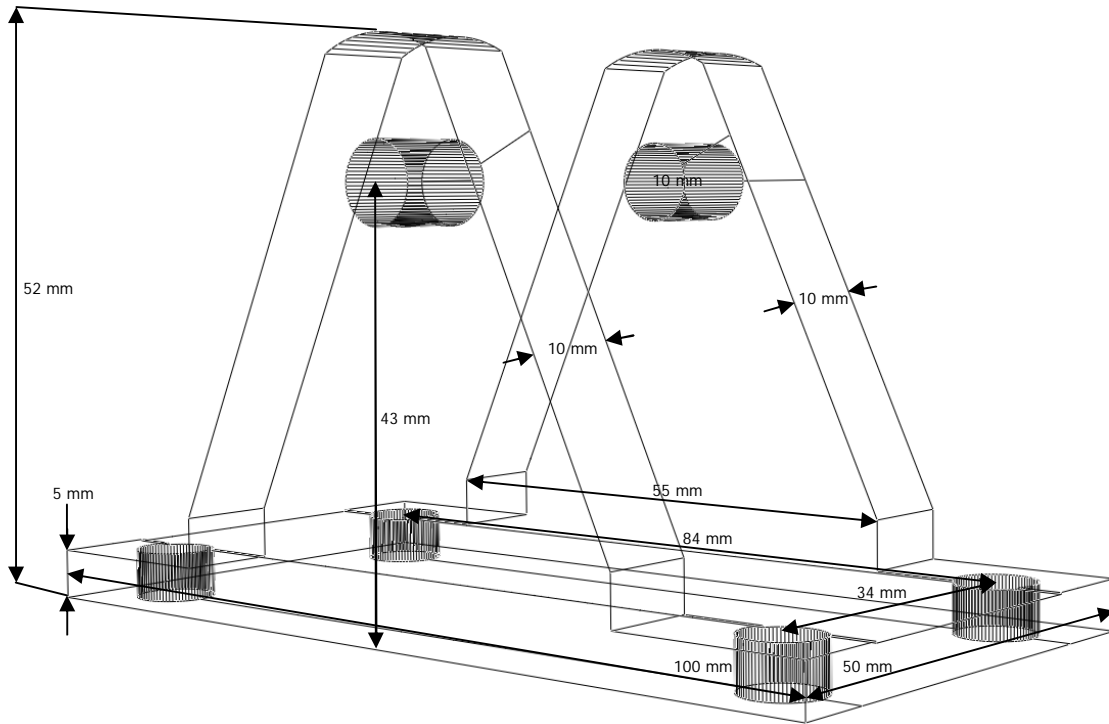
Bottom Plate Wheel Configuration



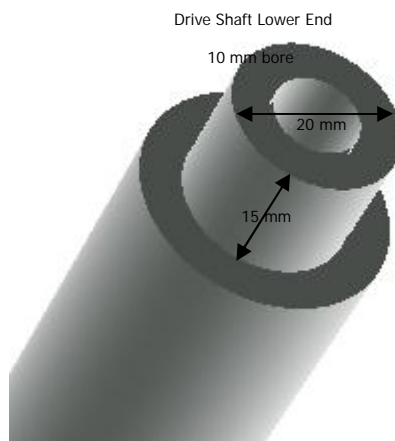
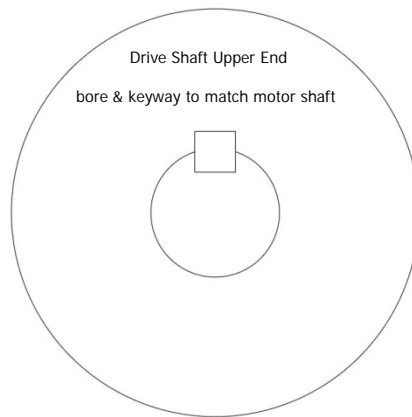
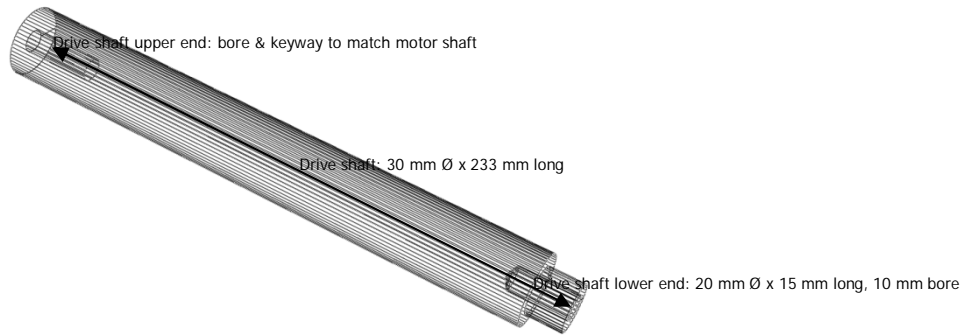
Concrete Tester: Hardened Steel Wheels, 75 mm Ø x 20 mm wide

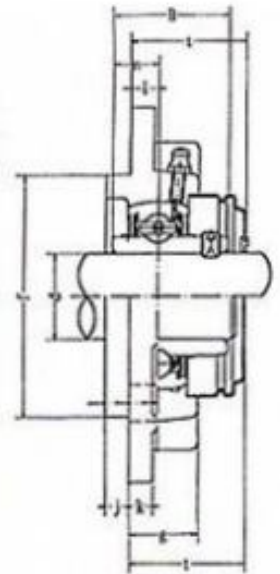
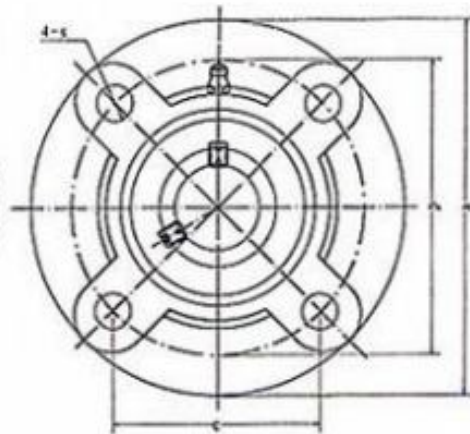
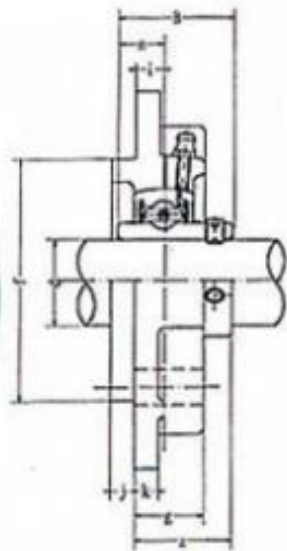


Concrete Tester: Wheel Bracket



Concrete Tester: Drive Shaft Dimensions





S(SM)-UCFC

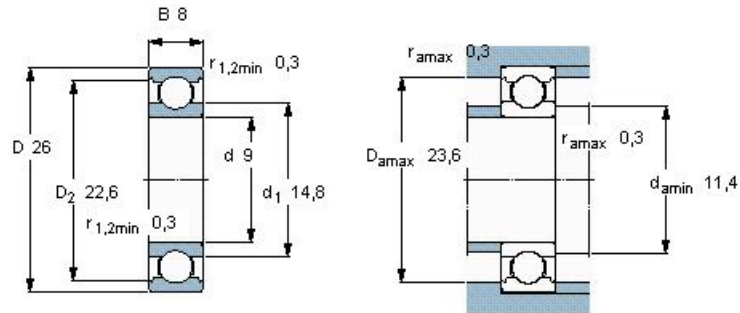
Unit No.	Dimensions mm													Bolt Size	Bearing No.	Housing No.	Weight (kg)
	d	a	p	e	i	s	j	k	g	f	z	B	n				
UCFC201	12	100	78	55.1	10	12	5	7	20.5	62	28.3	31	12.7	M10	UC201	FC204	0.7
UCFC202	15	100	78	55.1	10	12	5	7	20.5	62	28.3	31	12.7	M10	UC202	FC204	0.7
UCFC203	17	100	78	55.1	10	12	5	7	20.5	62	28.3	31	12.7	M10	UC203	FC204	0.7
UCFC204	20	100	78	55.1	10	12	5	7	20.5	62	28.3	31	12.7	M10	UC204	FC204	0.6
UCFC205	25	115	90	63.6	10	12	6	7	21	70	29.8	34.1	14.3	M10	UC205	FC205	1
UCFC206	30	125	100	70.7	10	12	8	8	23	80	32.2	38.1	15.9	M10	UC206	FC206	1.3
UCFC207	35	135	110	77.8	11	14	8	9	26	90	36.4	42.9	17.5	M12	UC207	FC207	1.8
UCFC208	40	145	120	84.8	11	14	10	9	26	100	41.2	49.2	19	M12	UC208	FC208	2.1
UCFC209	45	160	132	93.3	10	16	12	14	26	105	40.2	49.2	19	M14	UC209	FC209	2.6
UCFC210	50	165	138	97.6	10	16	12	14	28	110	42.6	51.6	19	M14	UC210	FC210	3.7

Deep groove ball bearings, single row, unsealed
[Product information](#)

[Tolerances](#) , see also [text](#)
[Radial internal clearance](#) , see also [text](#)
[Recommended fits](#)
[Shaft and housing tolerances](#)

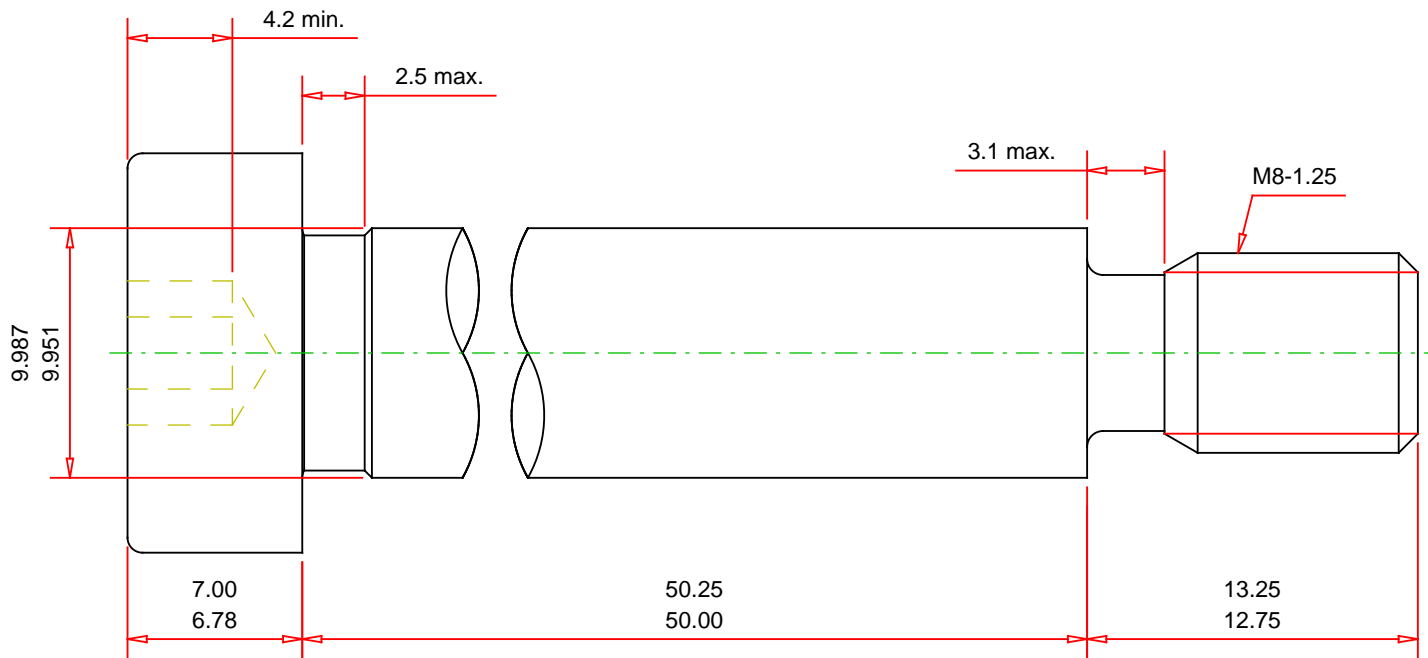
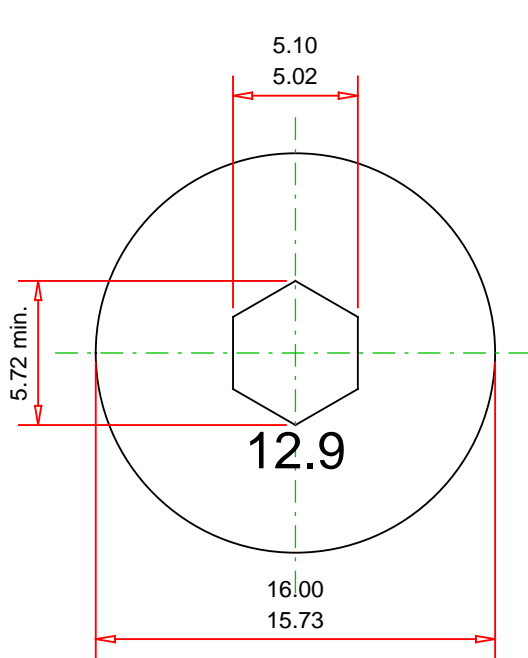
Principal dimensions			Basic load ratings		Fatigue load limit P_u	Speed ratings		Mass	Designation
d	D	B	dynamic	static		Reference speed	Limiting speed		
mm			kN		kN	r/min		kg	-
9	26	8	4,75	1,96	0,083	60000	38000	0,02	629 *

* = SKF Explorer bearing



Calculation factors

k_r 0,025
 f_0 12



Dimensions: ISO 7379
 Material & Mechanical Properties: ISO 898 12.9.
 Finish: Black Oxide (Thermal or Chemical) on un-ground surfaces.
 Threads: 5g6g

PART. # : 40015	
M.STRIP	
PART DESCR : 10x50, Socket Head Shoulder Screws, (Stripper Bolt), Metric, Class 12.9	
NOT TO SCALE	December 6, 2010

FASTENAL[®]
 INDUSTRIAL & CONSTRUCTION SUPPLIES

Property of Fastenal. All rights reserved.